



DETAILS & FEATURES

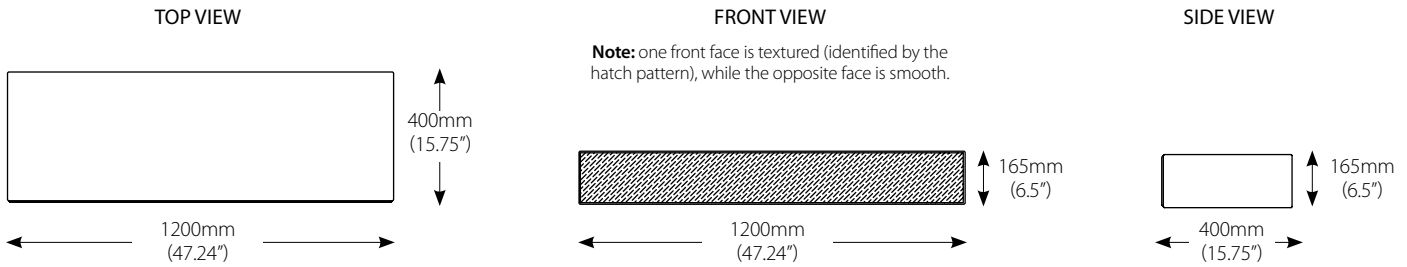


ARIA STEP FEATURES:

- Compliant with Ontario's Integrated Accessibility Standards
- Overlap design reduces risk of differential settlement
- Includes two face finishes (smooth & textured)

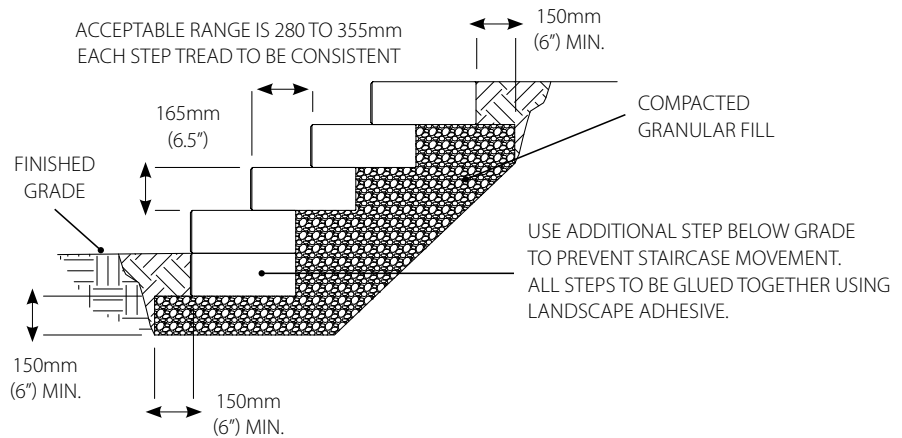
aria step

INDIVIDUAL BLOCK DETAILS

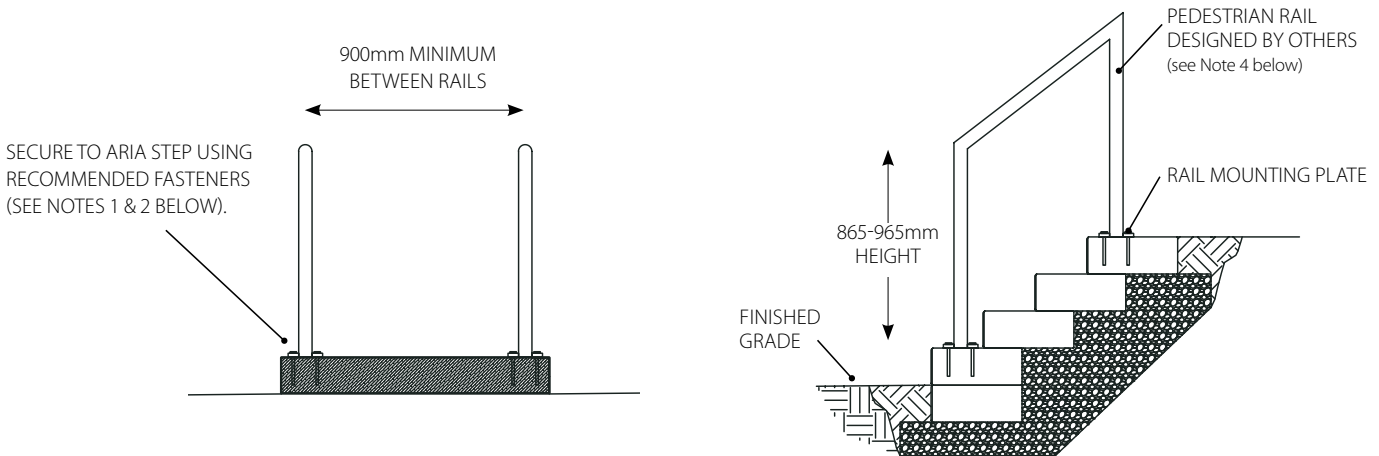


FREESTANDING STAIRCASE CONSTRUCTION

Designed to comply with Ontario's new Integrated Accessibility Standards.

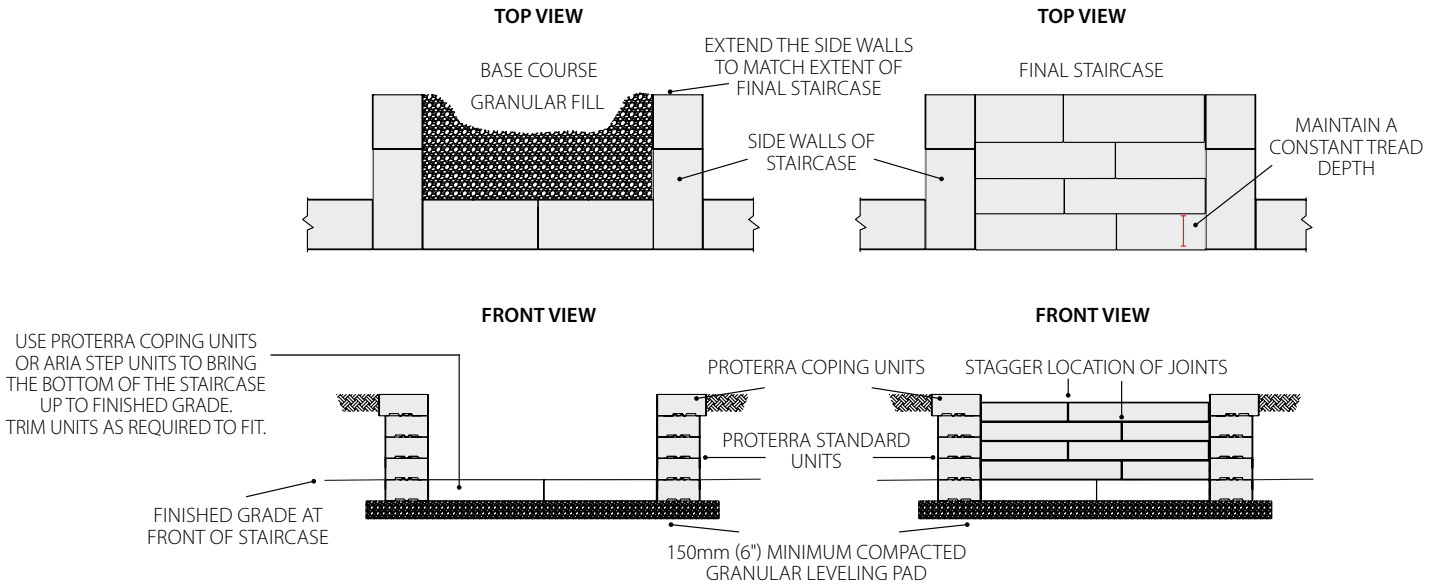


PEDESTRIAN RAIL ON STAIRCASE

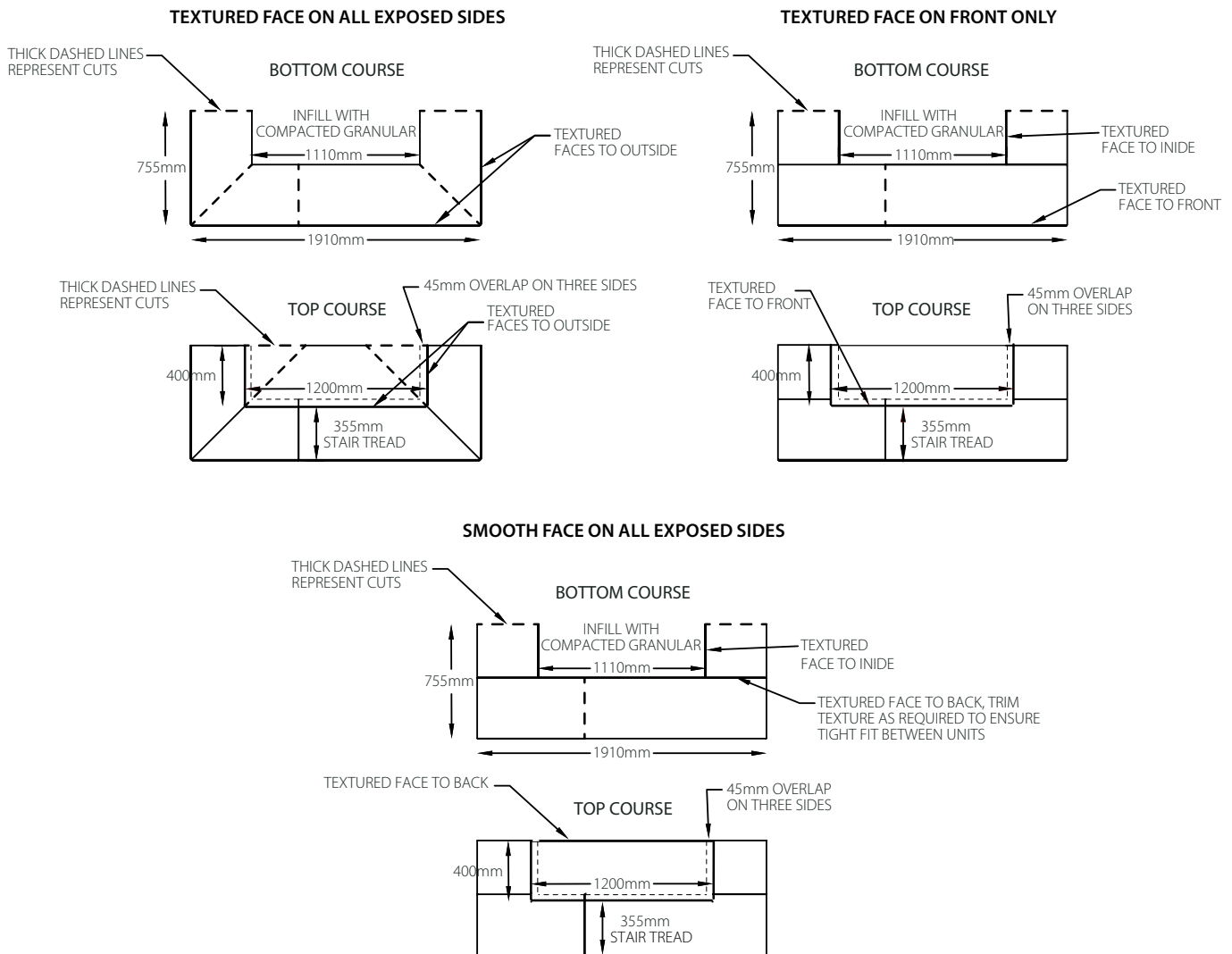


- Notes:
1. Do not use expansion fasteners; use only adhesive or screw types.
 2. Minimum length of fasteners - 100mm (4").
 3. Recommend boltholes a minimum of 62.5mm (2.5") from outside edge of step units.
 4. Rail to be design by others in accordance with applicable Ontario Building Code (OBC) regulations and CSA standards.

INSET STAIRCASE WITH PROTERRA™ WALL



OUTSET STAIRCASE





Brampton Brick Limited

Brampton

225 Wanless Drive
Brampton, ON L7A 1E9

Brockville

3007 County Rd. #29
PO Box 143 Brockville,
ON K6V 5V2

Hillsdale

2108 Flos Road Four East,
Hillsdale, ON L0L 1V0

Markham

455 Rodick Road
Markham, ON L6G 1B2

Boisbriand

4200, Marcel-Lacasse
Boisbriand, QC J7H 1N3

Detroit

51744 Pontiac Trail
Wixom, MI 48393

Farmersburg

1256 East County Rd. 950 N.
Farmersburg, IN 47850

OAKSpavers.com

 **1.800.709.OAKS (6257)** (Canada)

 **1.800.876.OAKS (6257)** (USA)

Members of:



Product representations shown in this publication are intended to convey the general color, texture and appearance of the product. Variations may occur in the manufacturing and printing process. Always select from an actual product sample.