



LUMI FIREBOWL

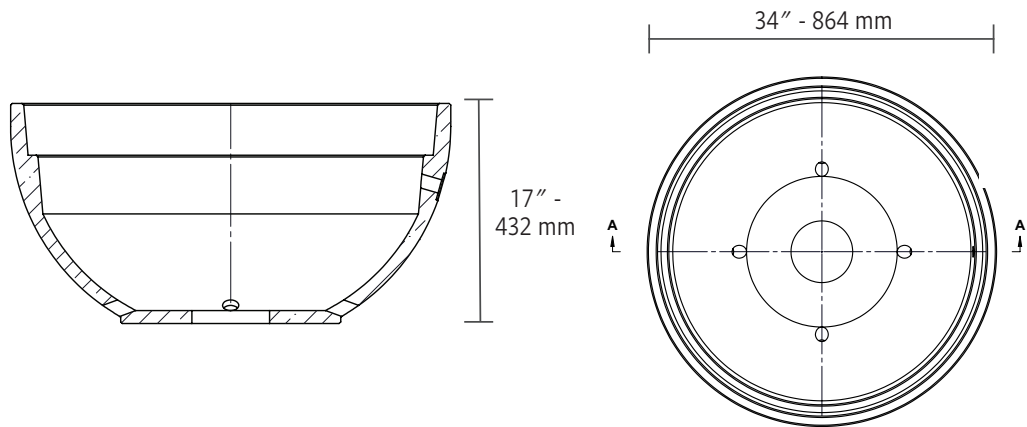
NOTES

Includes:

Burner, pan, Dante valve, lava rock and canvas-style cover.

Specifications per pallet	Imperial	Metric
Approx. Weight	395 lbs	179 kg
Overall Height	17 in	432 mm
Exterior Diameter	34 in	864 mm
Interior Diameter	31 in	787 mm

OUTDOOR
FEATURES



Warm Grey



INSTALLATION GUIDE

HPC BURNERS FOR FIRE PITS

DESCRIPTION

Made for outdoor gas fire pits (natural or propane), the patented design of the Torpedo™ burner by HPC delivers the biggest CSA-certified flame on the market. Made of welded commercial-grade stainless steel, this burner seamlessly blends into any fire pit design.

WHAT COMES IN THE HPC BURNER BOX?

Valencia units: burner and connection valve, accessories, owners manual, spark igniter kit, vent covers, key valve bracket, 5 install collars and a cover, 65k orifice installed, 150k orifice loose.

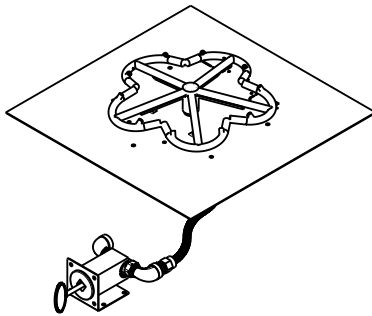
Prescott units: burner and connection valve, accessories, owners manual, spark igniter kit, vent covers, key valve bracket, 4 install collars and a cover, 65k orifice installed, 150k orifice loose.

Brandon units: burner and connection valve, accessories, owners manual, spark igniter kit, vent covers, key valve bracket, 4 install collars and a cover, 65k orifice installed, 150k orifice loose.

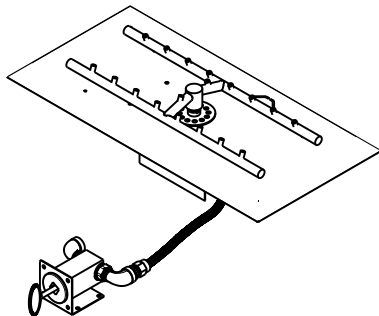
Raffinato units: burner and connection valve, accessories, owners manual, spark igniter kit, vent covers, key valve bracket, 4 install collars and a cover 65k orifice installed, 150k orifice loose.

The burner and connection valve come as one part connected. Install collars go around the perimeter of the fire pit.

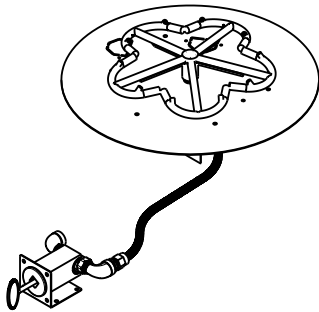
Lumi Bowl: burner and connection valve, accessories, owners manual, key valve bracket, a vinyl cover, 65k orifice installed, 150k orifice loose.



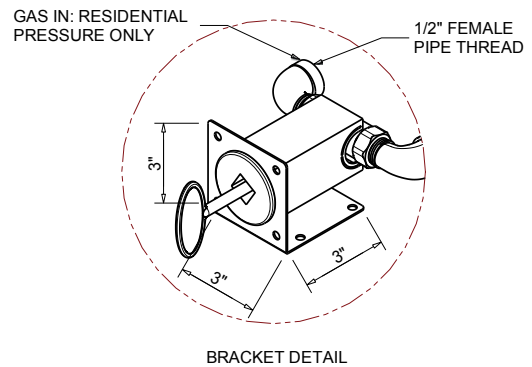
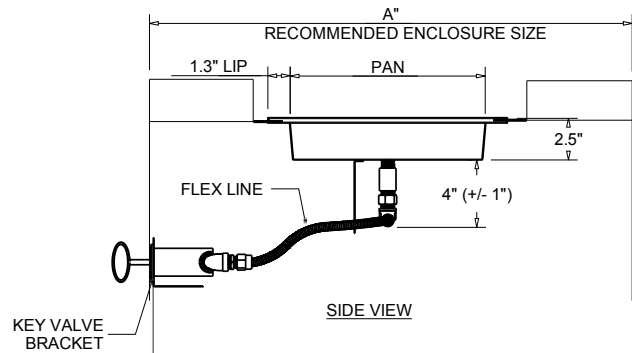
HPC SQUARE - Compatible with Brandon Square and Prescott



HPC RECTANGLE - Compatible with Brandon Rectangle and Raffinato



HPC ROUND - Compatible with Lumi and Valencia



OUTDOOR FEATURES